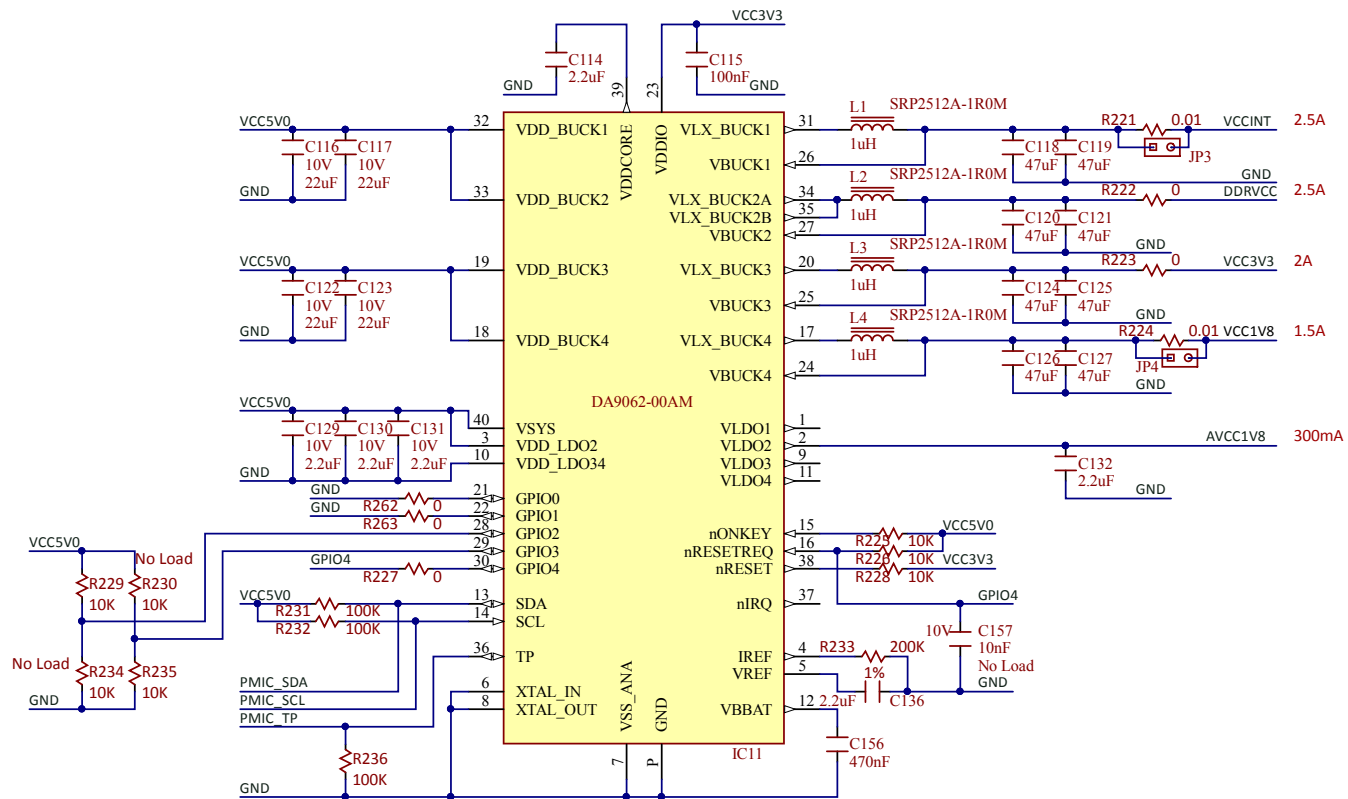


| | | | |
|------------------|--------------|----------------|--|
| Title | | Rev | |
| Arty S7 | | B.0 | |
| Circuit | | Copyright 2017 | |
| Power Regulation | | | |
| Doc# | 500-352 | | |
| Engineer | MTA | | |
| Author | GMA | | |
| Date | 4/7/2017 | | |
| Sheet# | 10 out of 11 | | |



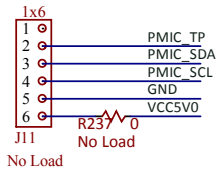


VCCINT Voltage Configuration

| R229 | R234 | VCCINT |
|---------|---------|--------|
| Load | No Load | 1.0V |
| No Load | Load | 0.95V |

DDR Voltage Configuration

| R230 | R235 | DDRVC | DDRVT |
|---------|---------|-------|--------|
| Load | No Load | 1.5V | 0.75V |
| No Load | Load | 1.35V | 0.675V |



| | | | | | | | |
|----------|--|------------------|--|-----------|--|------|--|
| Title | | Arty S7 | | Rev | | E.1 | |
| Circuit | | Power Regulation | | Copyright | | 2017 | |
| Doc# | | 500-352 | | | | | |
| Engineer | | MTA | | | | | |
| Author | | GMA | | | | | |
| Date | | 12/13/2017 | | | | | |
| Sheet# | | 10 out of 11 | | | | | |